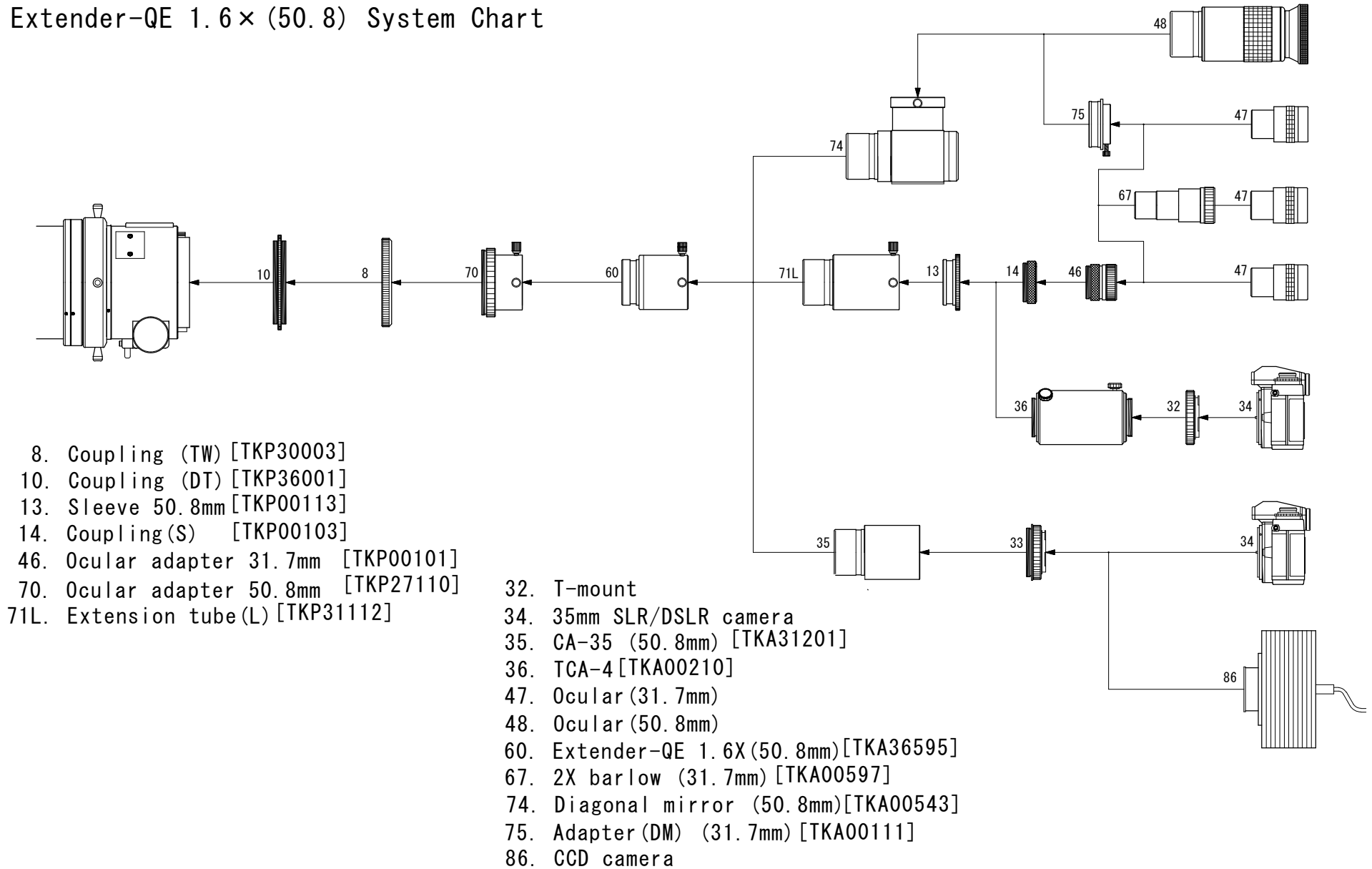


FSQ-106ED

Extender-QE 1.6 × (50.8) System Chart



* Some SLR/DSLR cameras cannot be attached.