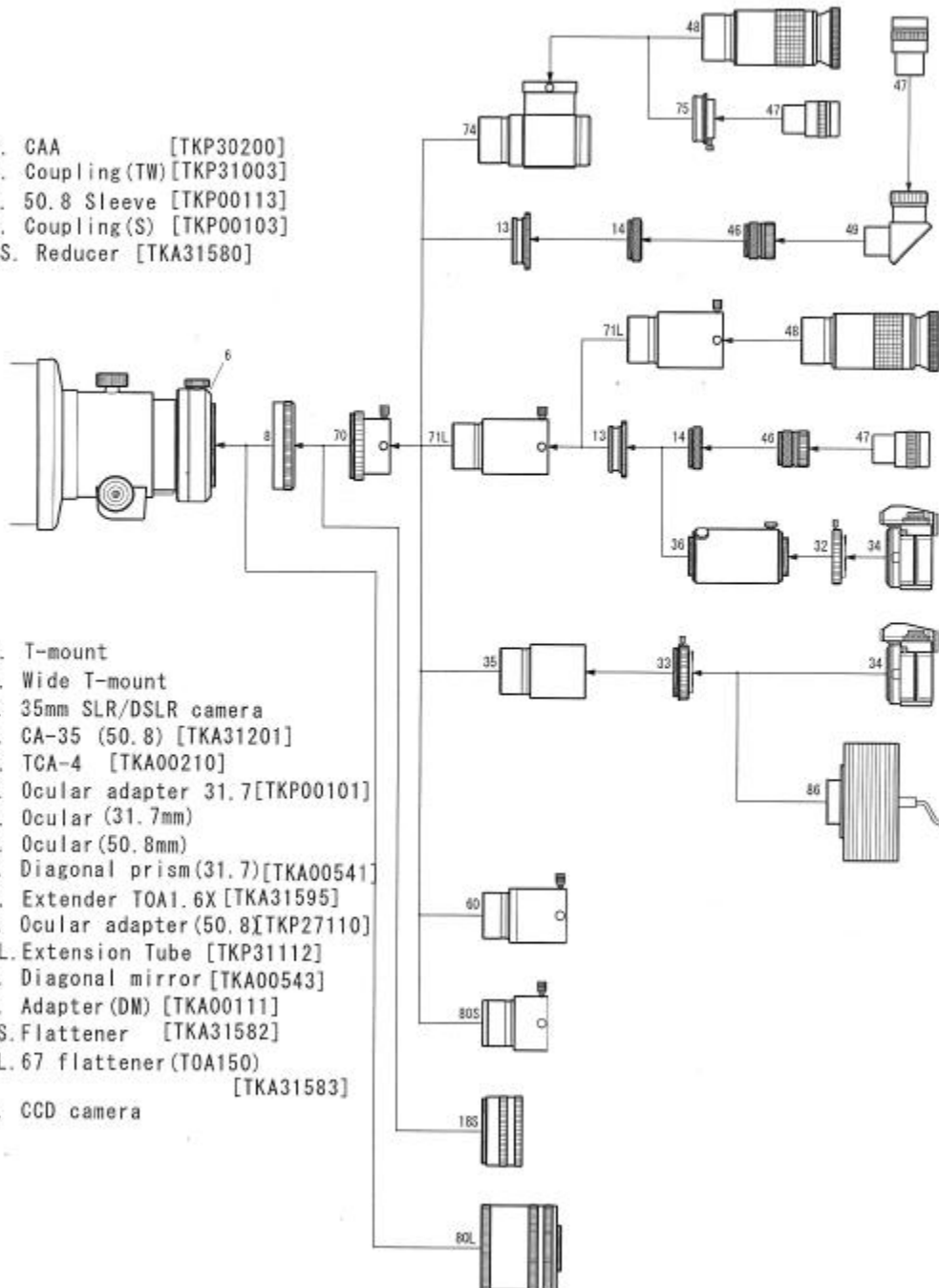


TOA-150

Photo/Visual System Chart

- 6. CAA [TKP30200]
- 8. Coupling (TW) [TKP31003]
- 13. 50.8 Sleeve [TKP00113]
- 14. Coupling (S) [TKP00103]
- 18S. Reducer [TKA31580]

- 32. T-mount
- 33. Wide T-mount
- 34. 35mm SLR/DSLR camera
- 35. CA-35 (50.8) [TKA31201]
- 36. TCA-4 [TKA00210]
- 46. Ocular adapter 31.7 [TKP00101]
- 47. Ocular (31.7mm)
- 48. Ocular (50.8mm)
- 49. Diagonal prism (31.7) [TKA00541]
- 60. Extender TOA1.6X [TKA31595]
- 70. Ocular adapter (50.8) [TKP27110]
- 71L. Extension Tube [TKP31112]
- 74. Diagonal mirror [TKA00543]
- 75. Adapter (DM) [TKA00111]
- 80S. Flattener [TKA31582]
- 80L. 67 flattener (TOA150) [TKA31583]
- 86. CCD camera



(Note) Some 35mm SLR/DSLR cameras may not be attached